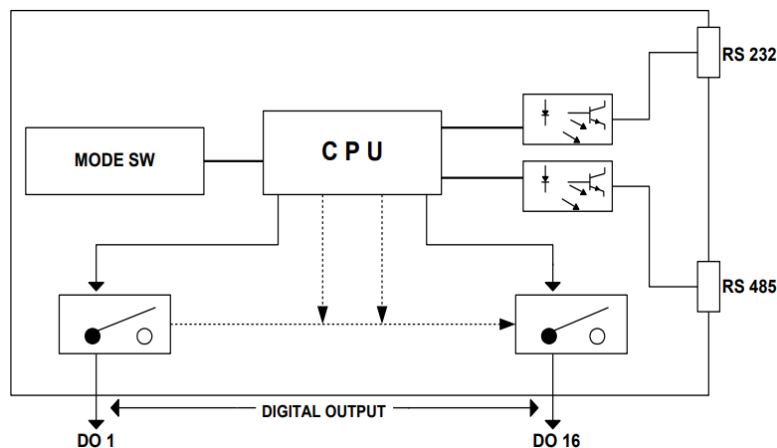
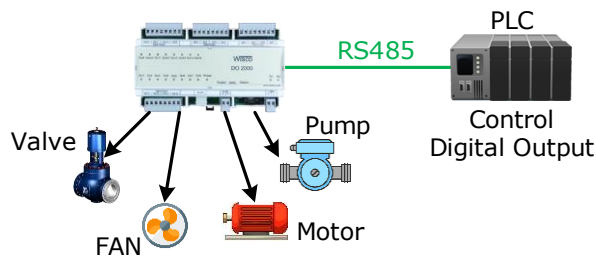


Digital Output Module DO2000



- 16 Digital Output (Relay Contact)
- Protocol MODBUS or ASCII Command
- RS232, RS485 Isolated (1000 V)

Digital Output Module DO2000 is the device with 16 relay contract outputs. DO2000 can be communicate through RS-232 or RS-485 connect with computer or PLC in order to control relay output such as ON-OFF electric system, control Motor etc.



Specifications

Serial Interface

Serial Standards:

RS232 Connector RJ12 6 Pin

RS485 (Isolated) 4 Pin Terminal Block

Loading: RS485 Max 32 Unit

Distance:

RS232 Length 15 m.

RS485 Length 1 Km.

Protocol: MODBUS ASCII/RTU, Wisco ASCII

Supply Software: Citect, Wonderware, LAB View etc.

Serial Parameter

Baud Rate: 4800, 9600, 19200, 57600

Data Bits: 8

Stop Bits: 1

Parity: None

Relay Output

Number of Channel: 16 Channels

Relay Type: N.O.

Contact Rating: 5A@250VAC, 5A@30VDC

Power Requirements

Power Supply: 85 to 230 VAC

(12 to 35 VDC Optional)

Environmental Limits

Operating Temperature: 0 to 55 °C

Operating Humidity: 5 to 95% RH

Storage Temperature: 0 to 70 °C

Physical Characteristics

Dimension: W160 x H90 x D60 mm.

Mounting: DIN Rail

Warranty

Warranty Period: 5 Year

Ordering Information: Specify Power Supply

Example DO2000/220 VAC

Package Checklist

1. DO2000
2. RS-232 Cable

